



# CIRCUIT

DorigoDesign / 2013

**Diemme.**

# CIRCUIT

DorigoDesign / 2013

Design by DorigoDesign CIRCUIT is a modular collection, unique in its versatility. It is a cutting-edge technical solution, able to shape itself with absolute fluidity to the environment for which it is chosen, taking on either straight or curved forms, and it can be equipped with a built-in writing tablet and USB ports. It develops into a dynamic game of full and empty spaces between the upholstery and the armrests.



Wolin 7050.22

# CIRCUIT

DorigoDesign / 2013

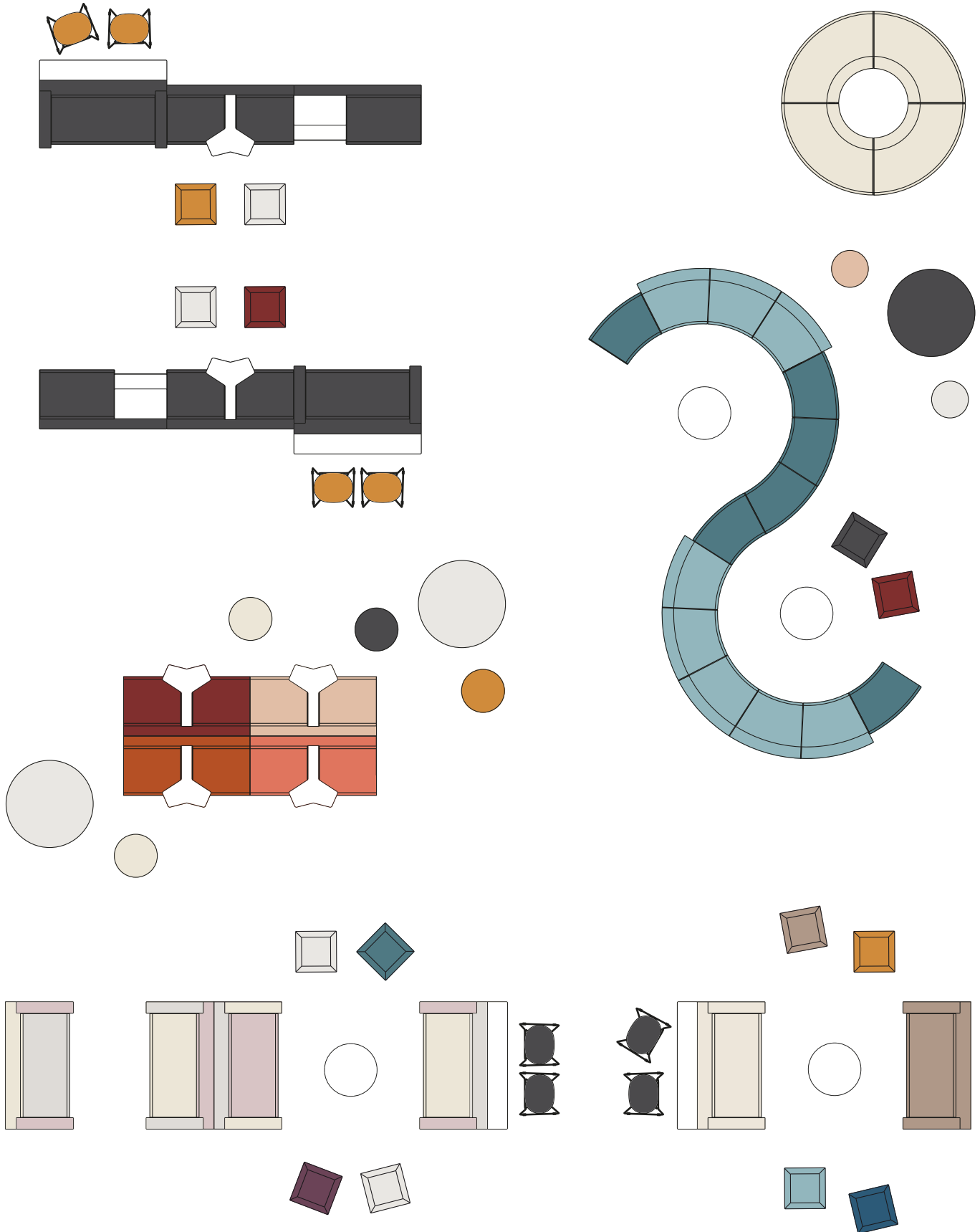
## Modular Seating

Circuit is an extremely modular and versatile seating system. It is innovative and creative, allowing you to customize spaces by creating waiting and informal meeting areas, niches where to work and catch up. There is a bench version, as well as the choice of two different back heights, the higher being perfect to create “parlours” and meeting areas where privacy is important. The armrests can have electric power points making this collection technological and interactive, perfect for modern lounge and waiting situations. Pouffes complete the collection whether used as a perch or for regular sitting, along with a series of tables. Sofas, chaise-longues, central and corner units, pouffes, terminals, oblongs and squares can all be combined with each other in various ways, so as to create and structure a particular and unique relaxation area.



# CIRCUIT

DorigoDesign / 2013



# CIRCUIT

DorigoDesign / 2013



Wolin 7050.22



Wolin 7050.22

# CIRCUIT

DorigoDesign / 2013



Jet 9110



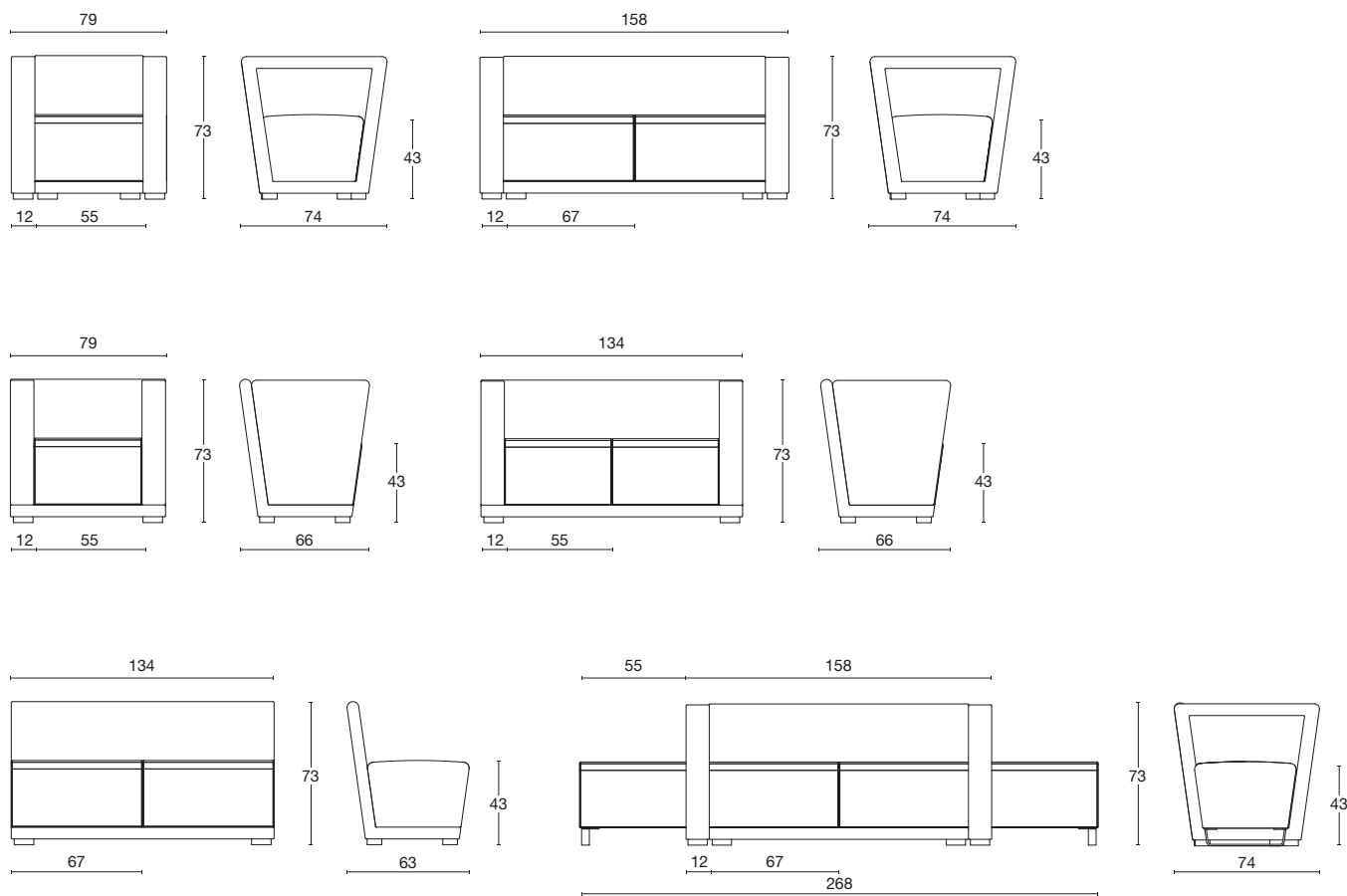
# CIRCUIT

DorigoDesign/ 2013

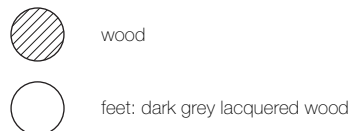
Warranty: 5 YEARS

## Sofa

A concept with infinite possibilities. Wood and polyurethane foam interiors. Includes armchair, two-seater sofa, and a series of elements of various sizes and heights, straight or curved, which can be joined together to form original compositions suitable for any type of space and layout. Polyurethane foam padding and wooden feet.



### frame



### upholstery

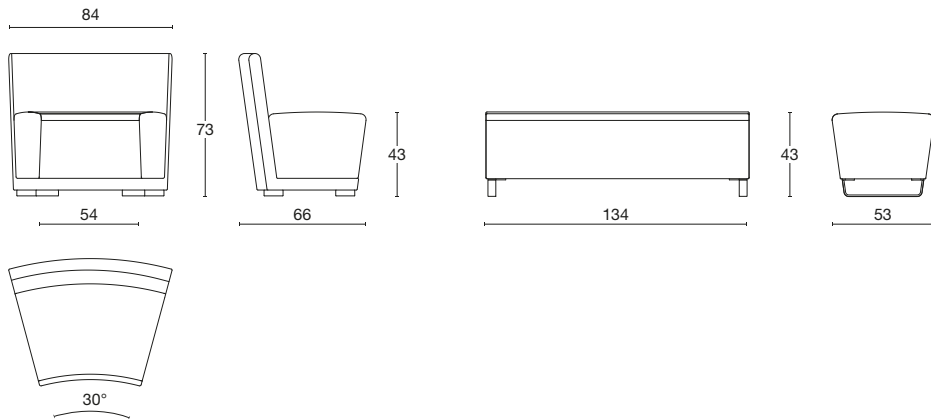
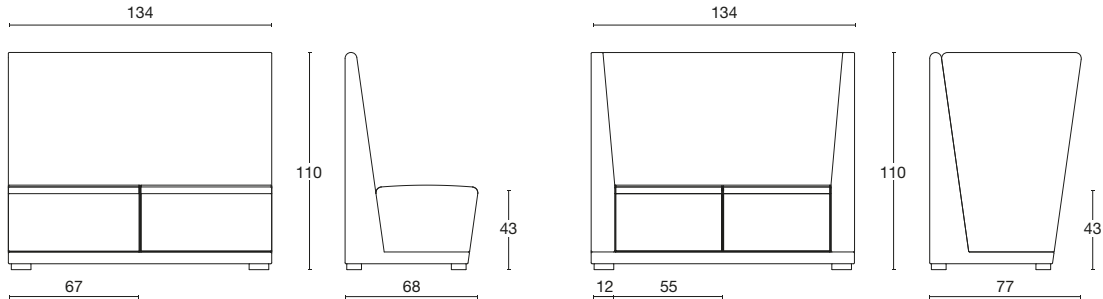


Please refer to the materials folder for the fabric, leather and faux leather colour palette.



# CIRCUIT

DorigoDesign/ 2013



## frame



ywood



feet: dark grey lacquered wood

## upholstery



fabric	faux leather	faux leather	fabric	fabric	fabric	fabric	fabric	fabric	fabric	fabric	fabric	leather	leather	leather
Jet	Planet	Cube	Mirage	Era	Model	Ikon	Gorgeous	Wolin	Hestan	Blazer	Polo	Fiesta	Nuvola	
15 colours	15 colours	15 colours	15 colours	15 colours	15 colours	14 colours	15 colours	9 colours	6 colours	12 colours	15 colours	9 colours	6 colours	
Cat. F	Cat. F	Cat. G	Cat. G	Cat. S	Cat. S	Cat. Top	Cat. Extra	Cat. Extra	Cat. Extra	Cat. Extra	Cat. Fiesta			

Please refer to the materials folder for the fabric, leather and faux leather colour palette.

